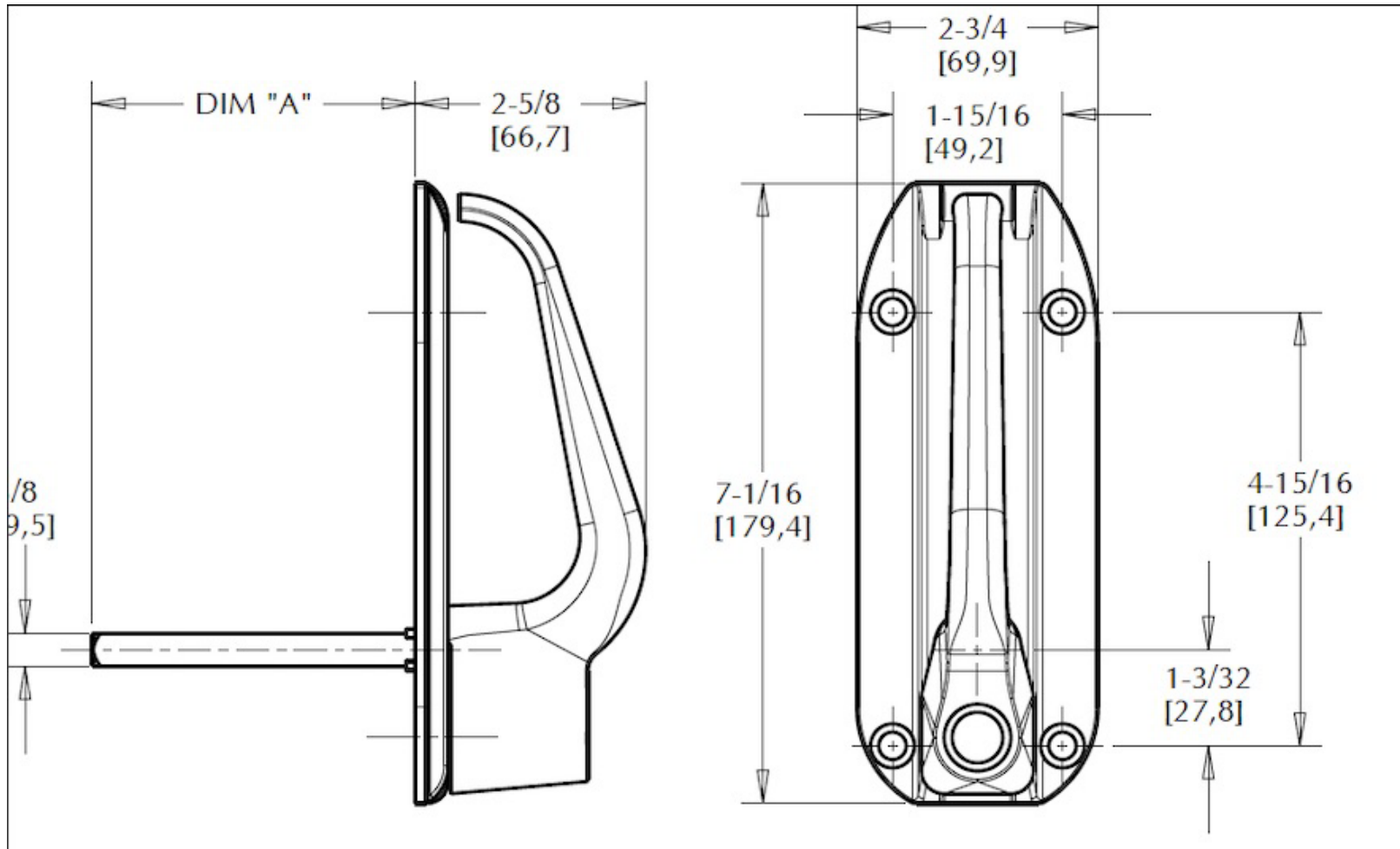


TECHNICAL DRAWING / DESSIN TECHNIQUE



JIMEXS
HARDWARE

1 866 447-5656 / INFO@JIMEXS.COM

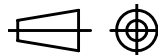
WWW.JIMEXS-HARDWARE.COM

228-501

Poignée pour porte coulissante
Sliding door handle

2022-01-25

PROJECTIONS



DIMENSIONS 3-3/4" - Shaft 3/8" Pin 3/8"
MATERIAL / MATÉRIEL Chrome