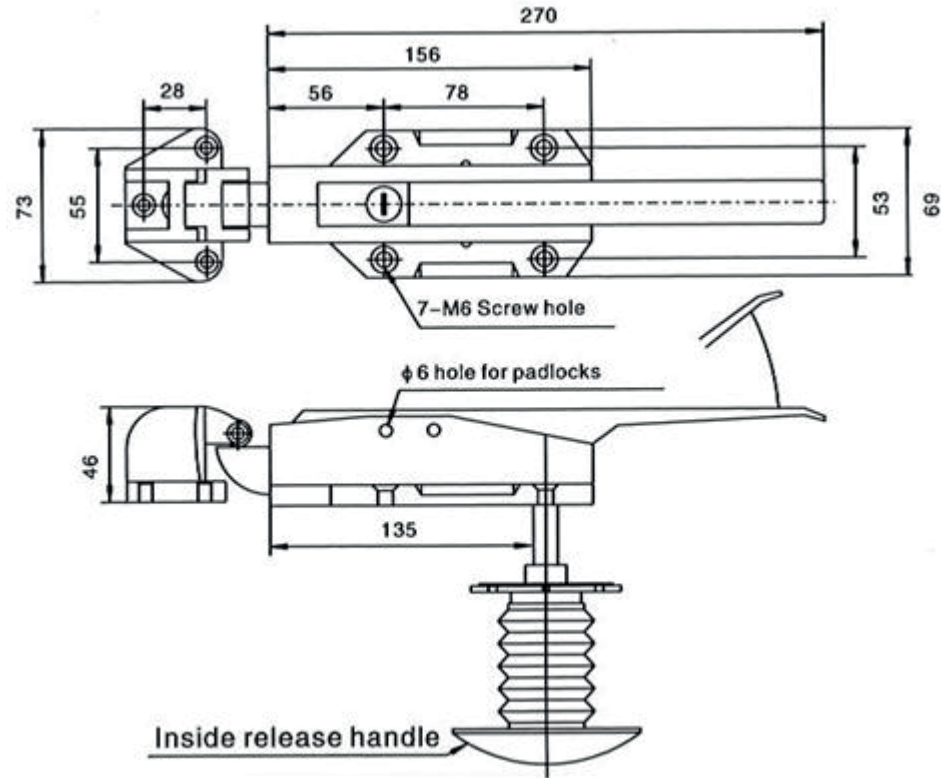


TECHNICAL DRAWING / DESSIN TECHNIQUE



JIMEXS
HARDWARE

1 866 447-5656 / INFO@JIMEXS.COM

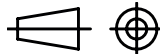
WWW.JIMEXS-HARDWARE.COM

228-451

Refrigerating door kit
 Kit de poignée réfrigéré

2021-11-24

PROJECTIONS



MATERIAL/MATÉRIEL

Chrome / Chromé

SPECIFICATIONS / SPÉCIFICATIONS

Gâche ajustable -1/8" à +1/4" /
 Ajustable striker -1/8" to +1/4"