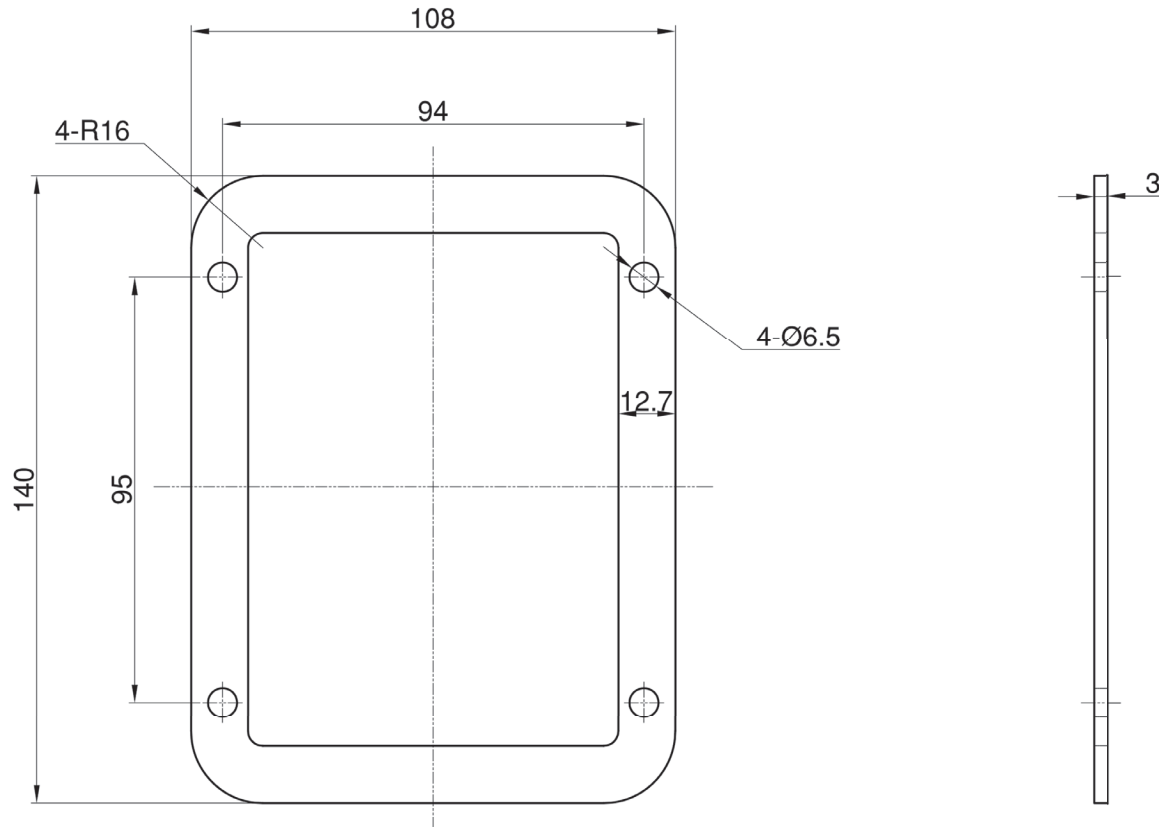


TECHNICAL DRAWING / DESSIN TECHNIQUE



JIMEXS
HARDWARE

1 866 447-5656 / INFO@JIMEXS.COM

WWW.JIMEXS-HARDWARE.COM

225-965

Striker
Gache

2022-01-05

PROJECTIONS



MATERIAL/MATÉRIEL

SPECIFICATIONS / SPÉCIFICATIONS

Aluminum base
Base aluminium

For lock / Pour serrure 225-761