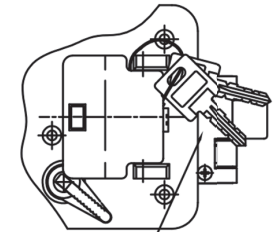
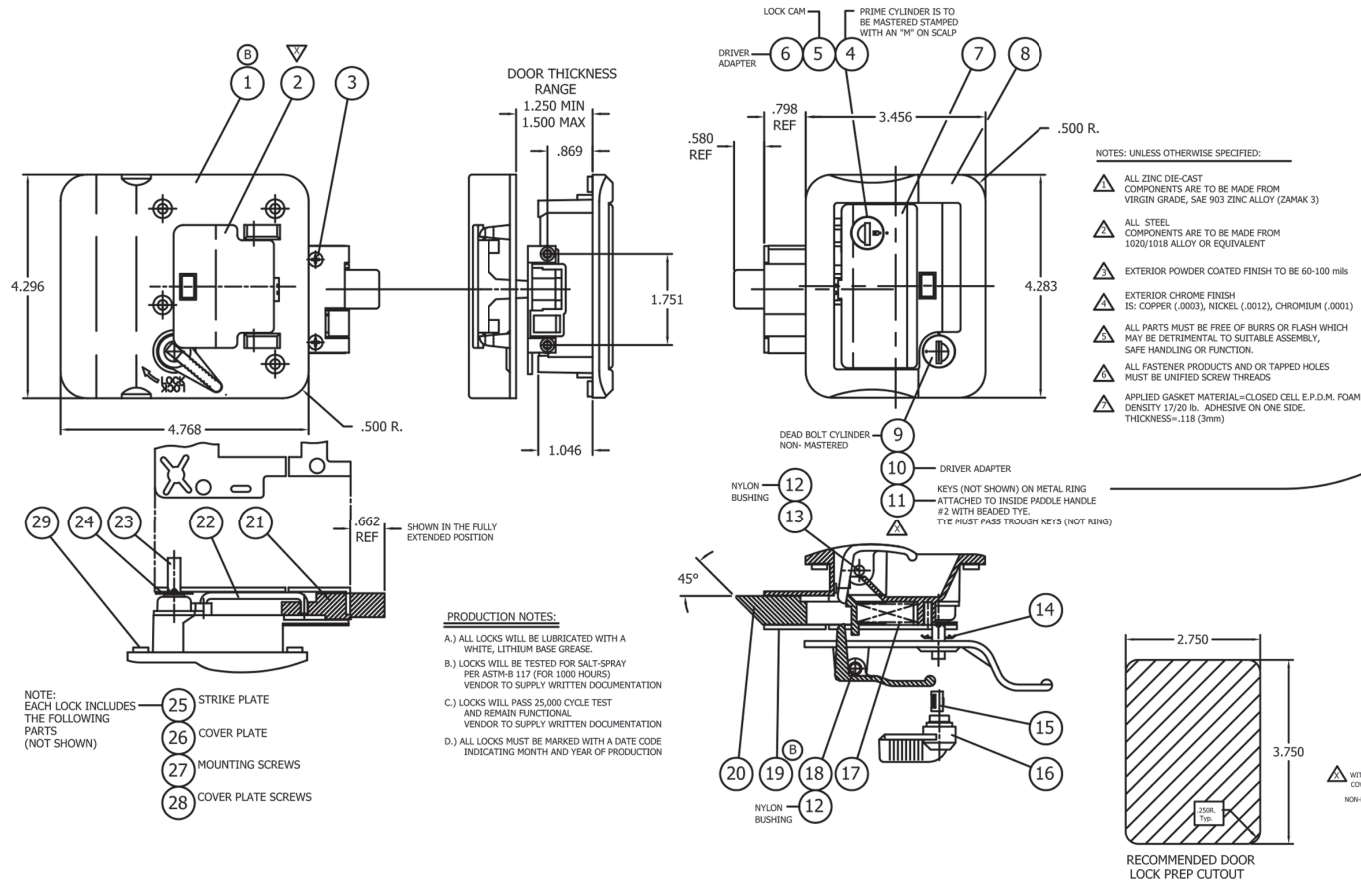


TECHNICAL DRAWING / DESSIN TECHNIQUE



IMPORTANT NOTE: THIS DRAWING IS MADE FROM UNASSEMBLED AND UNFINISHED PARTS SUPPLIED BY VENDOR. TO BE USED FOR REFERENCE & WAREHOUSE IDENTIFICATION.

QTY	DESCRIPTION	MATERIAL	REF. NOTE
29	1 GASKET	EPDM	REF. NOTE-7
28	2 FLAT HD M.S.	STD/H/T	#8-32x.375 PPHMSZ
27	4 OVAL HD M.S.	STD/H/T	#8-32x.750 PPHMSZ
26	1 COVER PLATE	STEEL	ZINC PLATED
25	1 STRIKE PLATE	STEEL	ZINC PLATED
24	1 WAVE WASHER	STEEL	BLACK NIOS (TEMPERED)
23	1 DEADBOLT STEM	ZDC-3	
22	1 LINK ARM	STEEL	NICKEL PLATED
21	1 PLUNGER (DRABOLT)	ZDC-3	
20	1 PLUNGER (PADDLE)	ZDC-3	
18	1 AXLE	STEEL	NICKEL PLATED
17	1 SPRING	STEEL	NICKEL PLATED
16	1 KNOB	ABS	MOLDED (RED)
15	1 BUSHING (KNOB)	ABS	BLACK NIOS (TEMPERED)
14	1 TOOTHED WASHER	STEEL	BLACK NIOS (TEMPERED)
13	2 AXLE	STEEL	NICKEL PLATED
12	4 BUSHING	NYLON	MOLDED (WHITE)
11	2 KEY	BRASS	NICKEL PLATED
10	1 DRIVER ADAPTER	ZDC-3	
9	1 CYLINDER (DEADBOLT)	PURCH	EURO LOCK
8	1 BODY	ZDC-3	
7	1 EXTERIOR PADDLE	ZDC-3	
6	1 DRIVER ADAPTER	ZDC-3	
5	1 LOCK CAM	ZDC-3	
4	1 CYLINDER (PRIME)	PURCH	EURO LOCK
3	4 FLAT HD M.S.	STD	#8-32x.300 PPHMSZ
2	1 INSIDE PADDLE	ZDC-3	
1	1 INSIDE WAVY PLATE	ZDC-3	OPTIONAL MATL.=STEEL

WITH MOLDED COVER (BLACK)
NON-MASTERED
MASTERED
DET REQ NAME MATL DESCRIPTION

JIMEXS HARDWARE

1 866 447-5656 / INFO@JIMEXS.COM

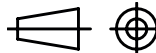
WWW.JIMEXS-HARDWARE.COM

225-853

FIC Flush Slam
Serrure à palette

2022-01-05

PROJECTIONS



DIMENSIONS
COLOR / COULEUR
SPECIFICATIONS / SPÉCIFICATIONS

3.47" x 4.28"
Black / Noir
Locking / Verrouillable