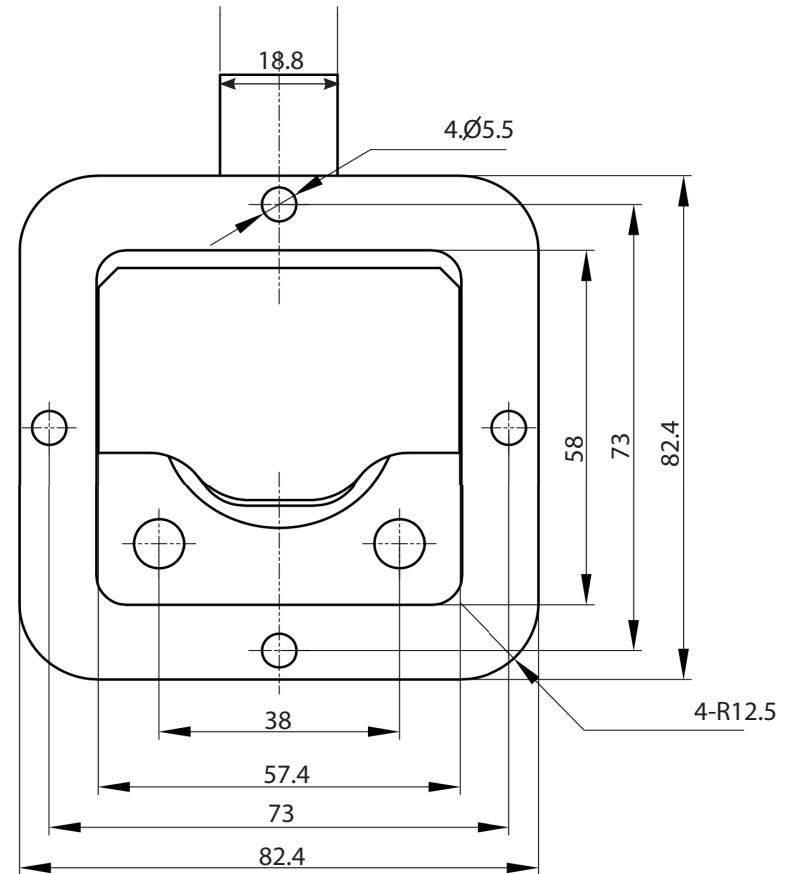
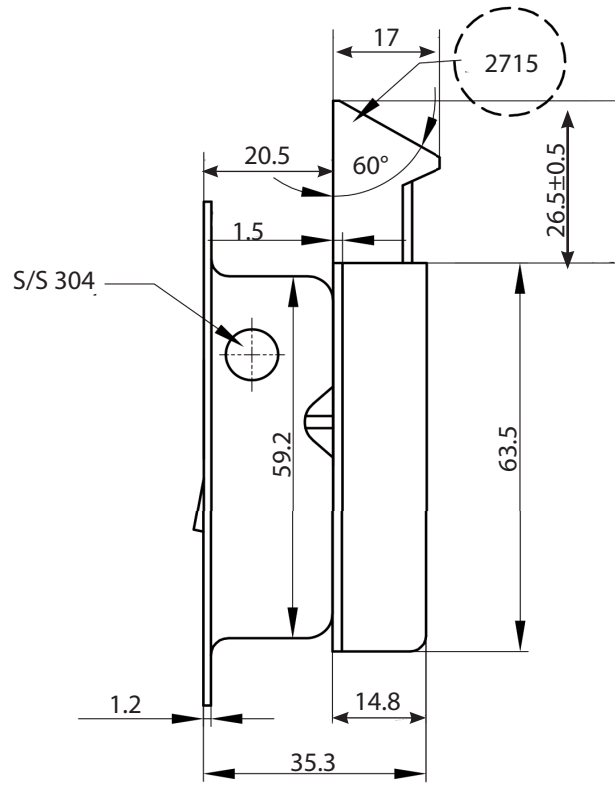


TECHNICAL DRAWING / DESSIN TECHNIQUE



JIMEXS
HARDWARE

1 866 447-5656 / INFO@JIMEXS.COM

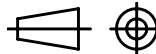
WWW.JIMEXS-HARDWARE.COM

225-491

Paddle handle
Serrure à palette

2022-01-05

PROJECTIONS



MATERIAL/MATÉRIEL

Polished stainless steel (304) /
Acier inoxydable poli (304)

SPECIFICATIONS / SPÉCIFICATIONS

Non-Locking / Non-verrouillable