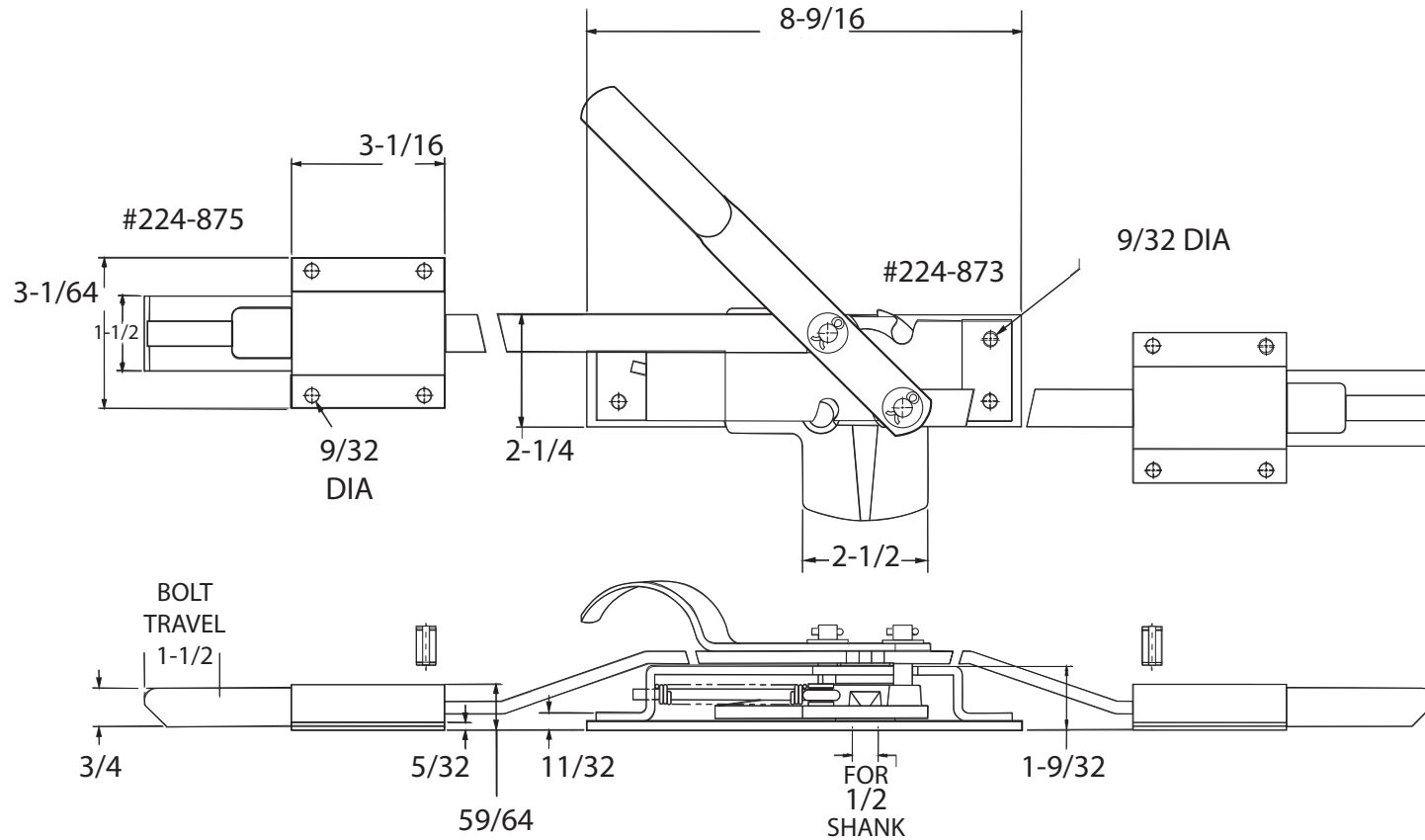


TECHNICAL DRAWING / DESSIN TECHNIQUE



JIMEXS
HARDWARE

1 866 447-5656 / INFO@JIMEXS.COM

WWW.JIMEXS-HARDWARE.COM

224-879

Zinc flat rod 48"
 Tige plate zinc 48"

2022-01-05

PROJECTIONS



DIMENSIONS

SPECIFICATIONS / SPÉCIFICATIONS

48"

For lock / Pour serrure 224 / 871