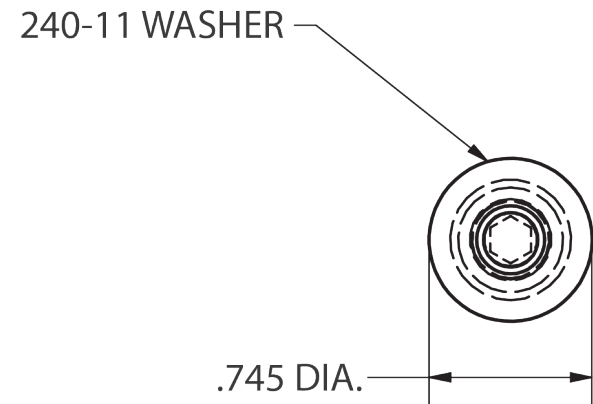
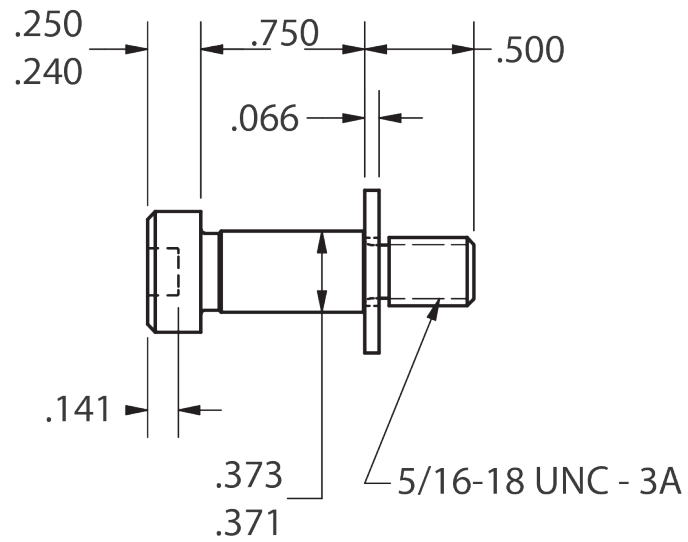
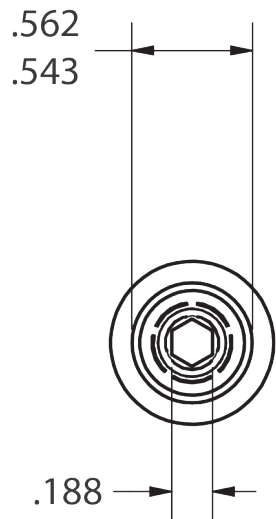


# TECHNICAL DRAWING / DESSIN TECHNIQUE



**JIMEXS**  
**HARDWARE**

1 866 447-5656 / INFO@JIMEXS.COM

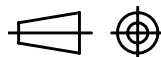
WWW.JIMEXS-HARDWARE.COM

224-459

Striker bolt  
 Boulon butoir

2022-01-04

PROJECTIONS



DIMENSIONS  
 MATERIAL/MATÉRIEL

5/16-18  
 zinc