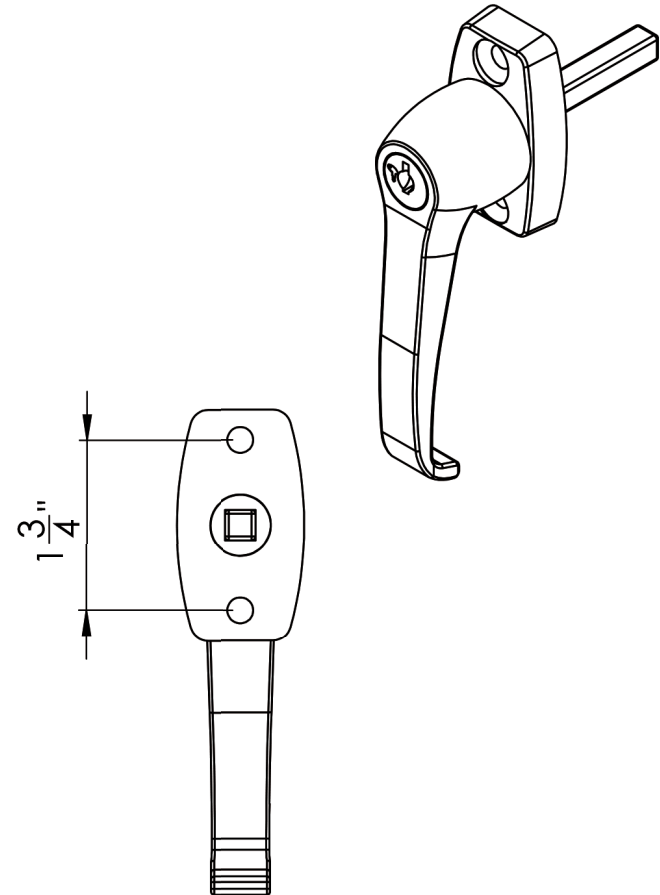
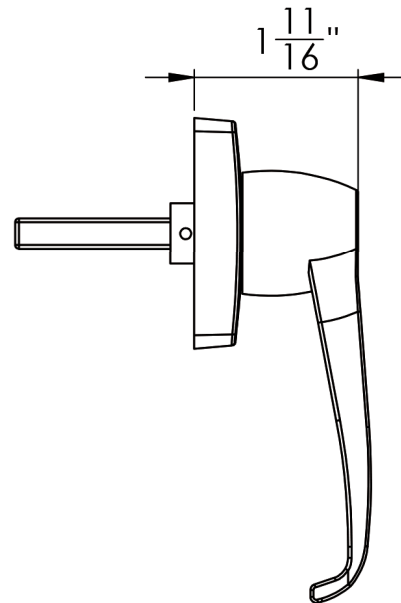
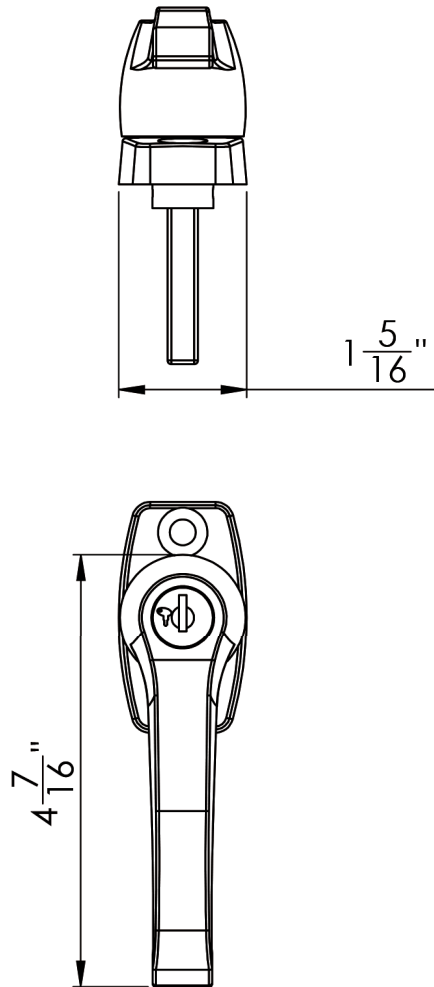


TECHNICAL DRAWING / DESSIN TECHNIQUE



JIMEXS
HARDWARE

1 866 447-5656 / INFO@JIMEXS.COM

WWW.JIMEXS-HARDWARE.COM

223-103

L-handle - locking - no dust cover
 Poignée en L - barrable - sans cache poussière

2022-01-04

PROJECTIONS



DIMENSIONS 1 3/4" c.c.- 4" shaft / Tige
 MATERIAL/MATÉRIEL Chrome / Chromé