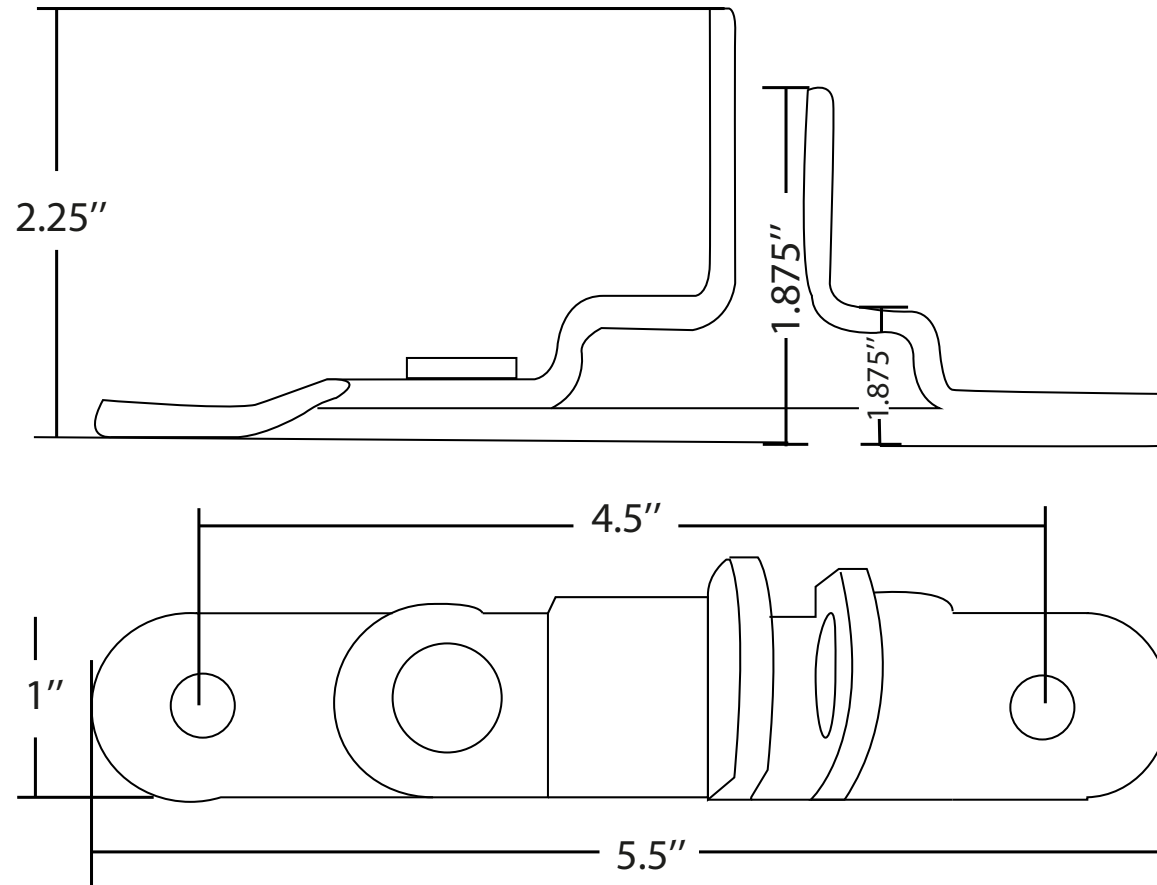


TECHNICAL DRAWING / DESSIN TECHNIQUE



JIMEXS
HARDWARE

1 866 447-5656 / INFO@JIMEXS.COM

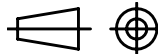
WWW.JIMEXS-HARDWARE.COM

222-987

Pad lockable with hasp for 222-583
Receptable de poignée pour 222-583

2022-09-21

PROJECTIONS



DIMENSIONS

MATERIAL / MATÉRIEL

5.50" x 1"

Acier plaqué zinc /
Steel zinc plated