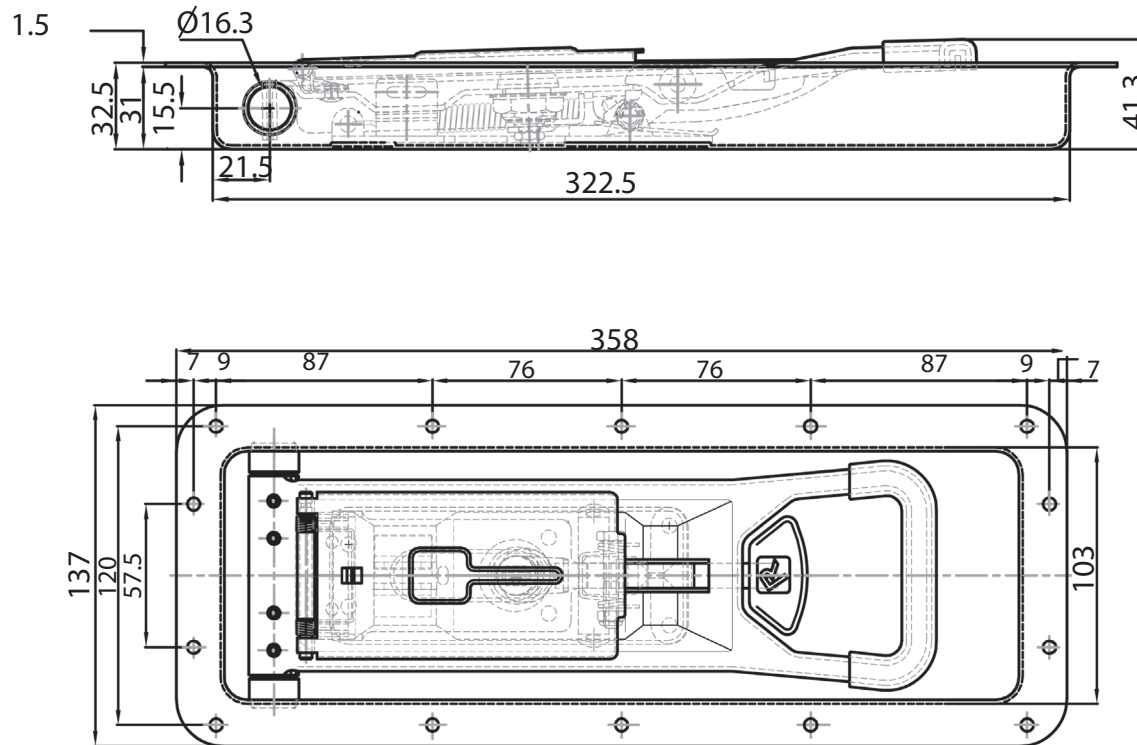


TECHNICAL DRAWING / DESSIN TECHNIQUE



JIMEXS
HARDWARE

1 866 447-5656 / INFO@JIMEXS.COM

WWW.JIMEXS-HARDWARE.COM

222-664

Recessed handle for lock #222-641
 Poignée encastrée pour serrure #222-641

DIMENSIONS 358mm X 138mm / 14.09"x 5.43"

MATERIAL/MATÉRIEL Polished stainless steel (304)
 / Acier inoxydable poli (304)

PROJECTIONS

