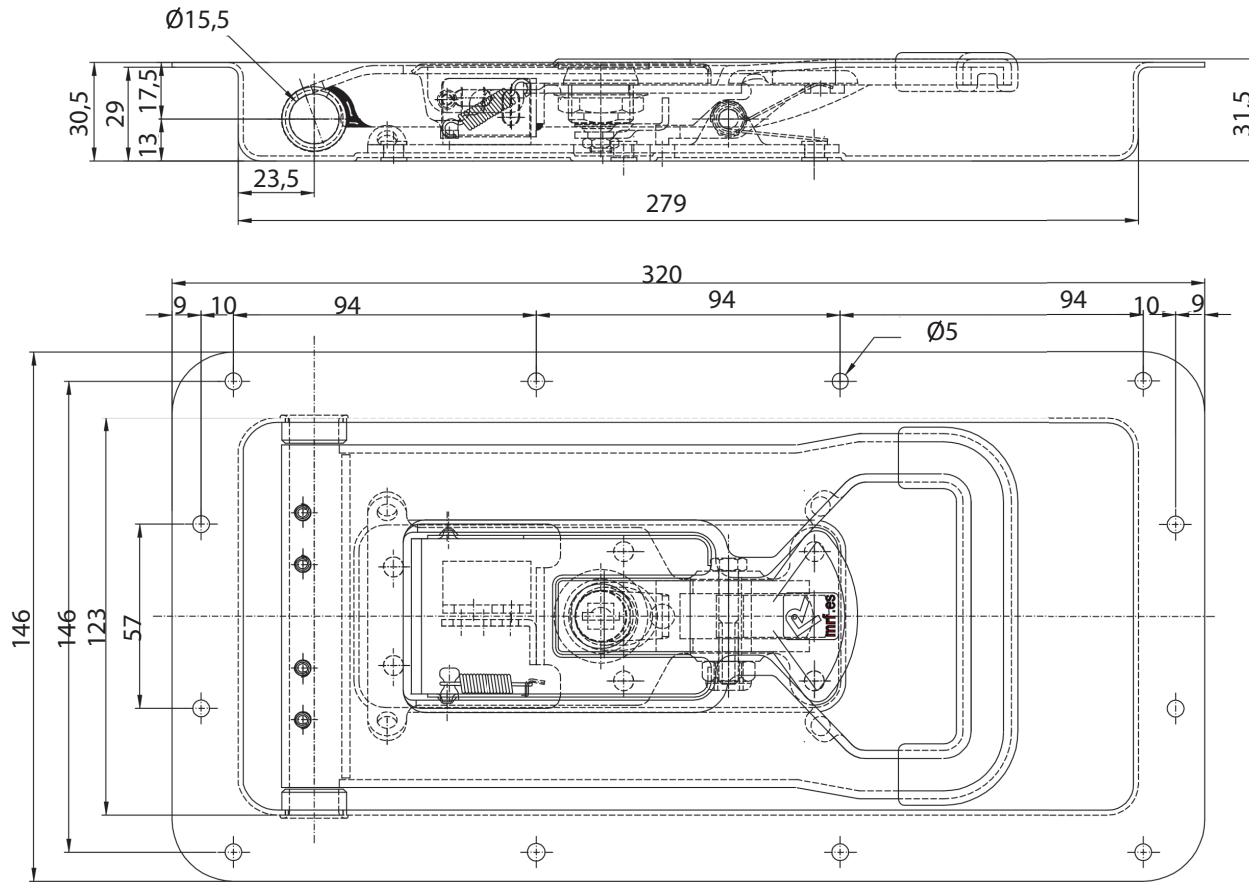


TECHNICAL DRAWING / DESSIN TECHNIQUE



JIMEXS
HARDWARE

1 866 447-5656 / INFO@JIMEXS.COM

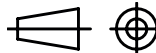
WWW.JIMEXS-HARDWARE.COM

222-662

Poignée encastrée pour serrure #222-621
 Recessed handle for lock #222-621

2022-01-04

PROJECTIONS



DIMENSIONS

MATERIAL/MATÉRIEL

SPECIFICATIONS/ SPÉCIFICATIONS

320mm x 165mm

Stainless Steel / Acier inoxydable

For 15mm tubing
 /Pour tuyau 3/4