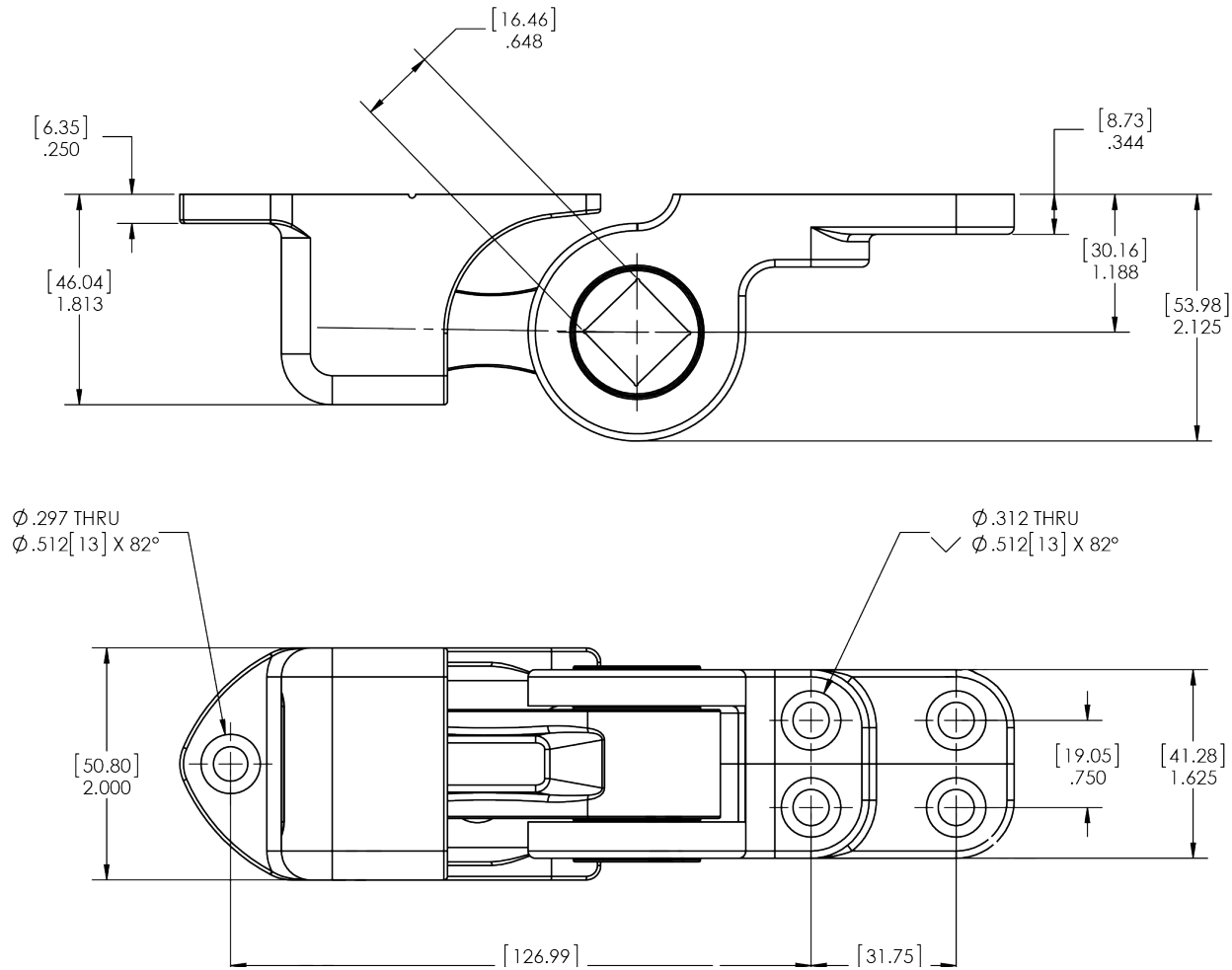


TECHNICAL DRAWING / DESSIN TECHNIQUE



JIMEXS
HARDWARE

1 866 447-5656 / INFO@JIMEXS.COM

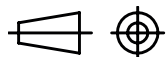
WWW.JIMEXS-HARDWARE.COM

222-560

Kit for 3rd point
 Kit pour 3e point

2022-01-04

PROJECTIONS



MATERIAL/MATÉRIEL Zinc plated steel / Acier plaqué zinc