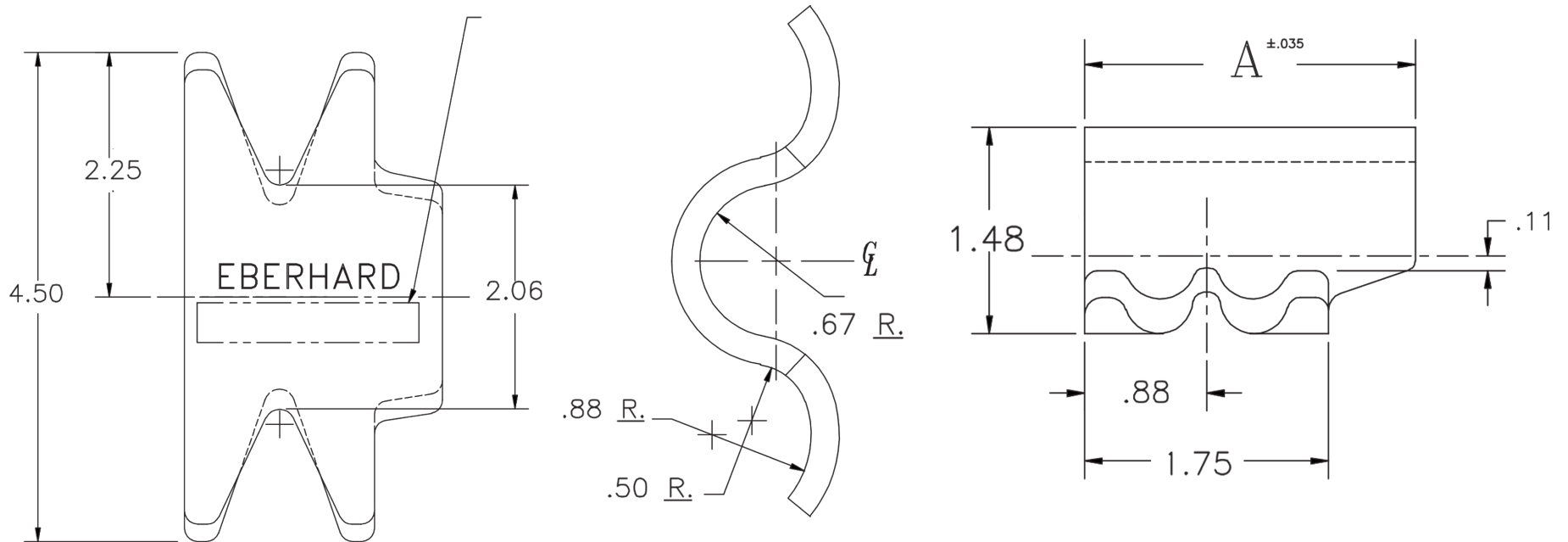


TECHNICAL DRAWING / DESSIN TECHNIQUE

"EBERHARD" & PART NUMBER
 S1969-35 OR S16458
 TO APPEAR ON PART.



JIMEXS
HARDWARE

1 866 447-5656 / INFO@JIMEXS.COM

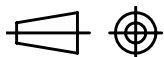
WWW.JIMEXS-HARDWARE.COM

222-249

Long reach cam
 Pêne longue portée

2021-09-22

PROJECTIONS



MATERIAL/MATÉRIEL Galvanized / Galvanisé