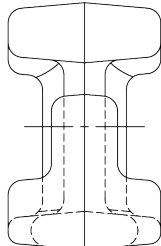
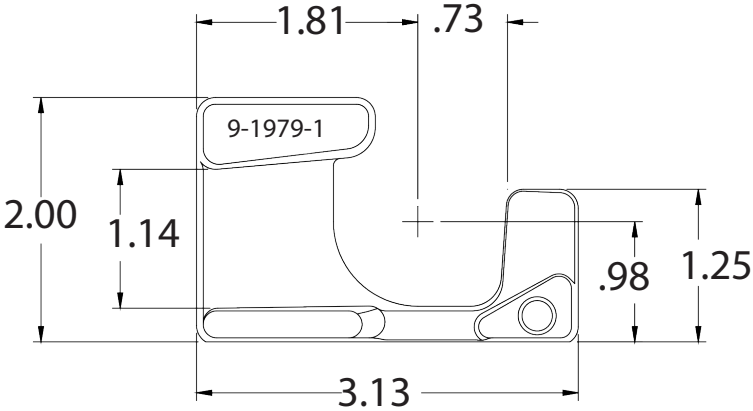
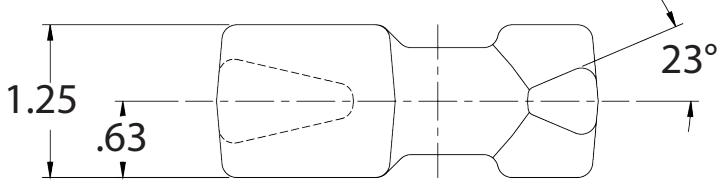


TECHNICAL DRAWING / DESSIN TECHNIQUE



JIMEXS
HARDWARE

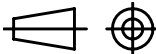
1 866 447-5656 / INFO@JIMEXS.COM
 WWW.JIMEXS-HARDWARE.COM

222-243

"Cam tite" cam
 Gâche - "Cam tite"

2021-09-22

PROJECTIONS



MATERIAL/MATÉRIEL Steel plain / Aci er brut