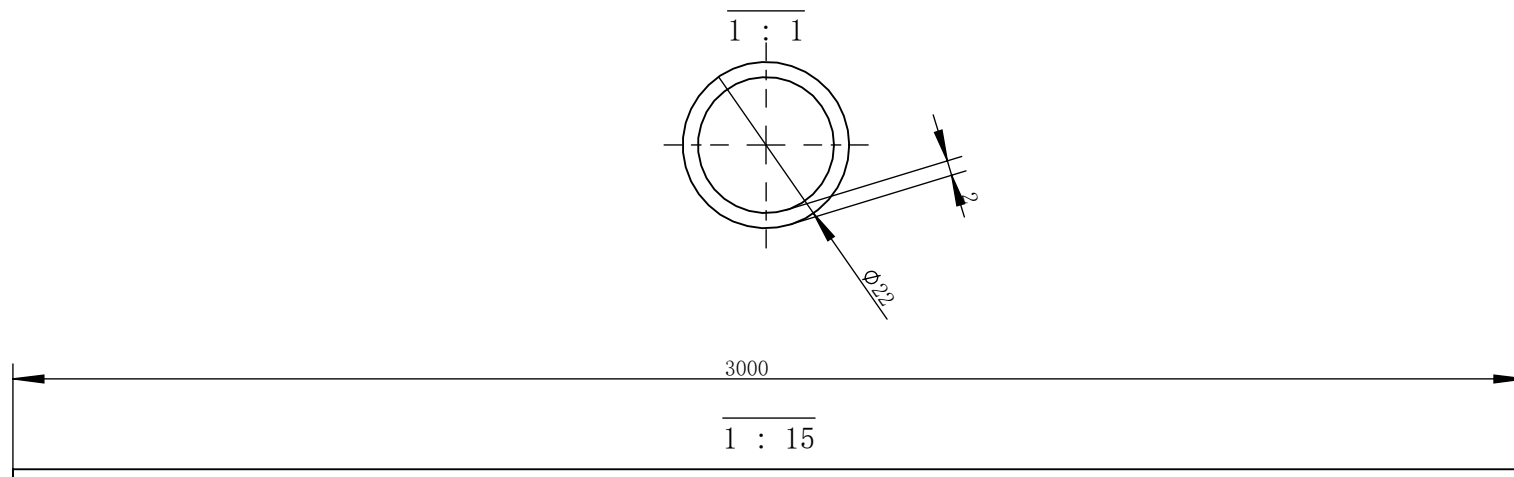


TECHNICAL DRAWING / DESSIN TECHNIQUE



JIMEXS
HARDWARE

1 866 447-5656 / INFO@JIMEXS.COM

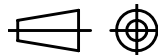
WWW.JIMEXS-HARDWARE.COM

222-115

Tubing
Tube

2024-04-03

PROJECTIONS



DIMENSIONS

118" - 22mm

MATERIAL / MATÉRIEL

S/S 304 / Acier Inoxydable 304

SPECS

0.864" OD - 0.700" ID